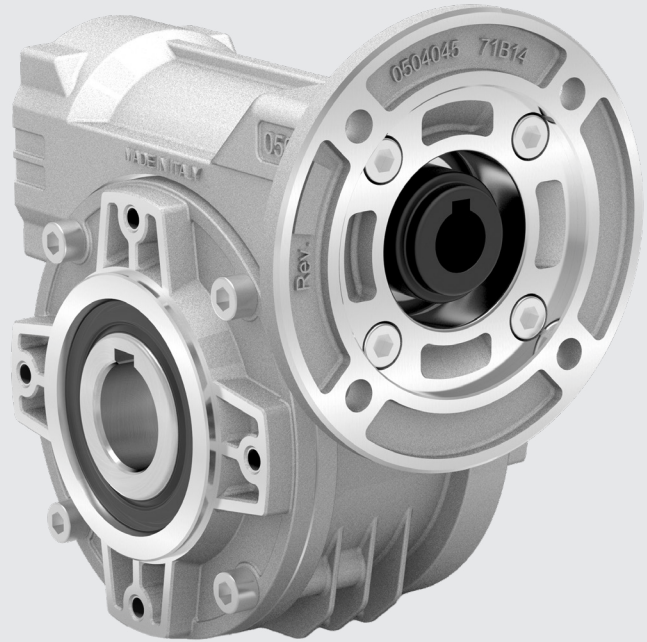


WINSMITH ALUMINUM ROUND SPEED REDUCER (ALRN)

Winsmith Aluminum Round Speed Reducers (ALRN) with their single-piece aluminum housing are dimensionally interchangeable with many global manufacturers of right-angle worm gearboxes. Winsmith stock inventory includes available accessories to allow for precise, quick shipment within 1-3 days from our Asheville, NC gearing facility.

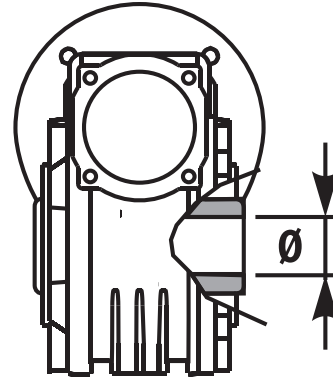
- Modular design allows for precise assembly and quick delivery.
- Dimensionally interchangeable with minimal cost and effort to change from a competitive manufacturer.
- Designed for a wide variety of machine builders who need drives that are optimized with regard to space, noise, torque and weight considerations.
- Efficiency is optimized, reducing energy losses due to the gearing geometry along with precision ground gears and case-hardened worm.
- Single-piece, precision machined housing ensures alignment of gearing and bearings delivering optimal life and performance.
- Robust, compact, lightweight design minimizes space and weight along with increasing life expectancy of supporting elements as compared to cast iron products.
- Wide variety of add on kits to provide many mounting options.
- Aluminum housing provides corrosion resistance and eliminates risk of paint chips breaking off.
- Shipped pre-filled with synthetic oil for universal mounting.
- Standard NEMA and IEC input motor frames.



ALUMINUM ROUND SPEED REDUCER (ALRN)	
Sizes	030, 045, 050, 063 and 085
Ratio Range	5:1 to 102:1
Input Power (hp)	1/8 to 5
Output Torque (lbf-in)	177 to 2921

MODULAR BASE

SIZE	TORQUE (lbf-in)	Ø BORE SIZE OUTPUT SHAFT (in)
030	177	0.551 (14mm)
045	345	0.750
050	611	1.000
063	1240	1.125
085	2921	1.500



AVAILABLE ACCESSORIES



MOUNTING FEET



OUTPUT FLANGE



SINGLE (SOLID) OUTPUT SHAFT



REACTION ARM



Visit the [product page](#) for more details.

WINSMITH | 716-592-9310 | © 2025 WINSMITH | www.winsmith.com

HBD Industries, Inc. and its subsidiaries are not responsible for possible errors in catalogs, brochures, websites and other materials, and may change such information without notice. Winsmith reserves the right to modify its products without notice, including products already on order, if the modified product meets any agreed-upon specifications. All trademarks in this material are the property of HBD Industries Inc., or its subsidiaries. All other trademarks are the property of their respective owners.

11/12/2025