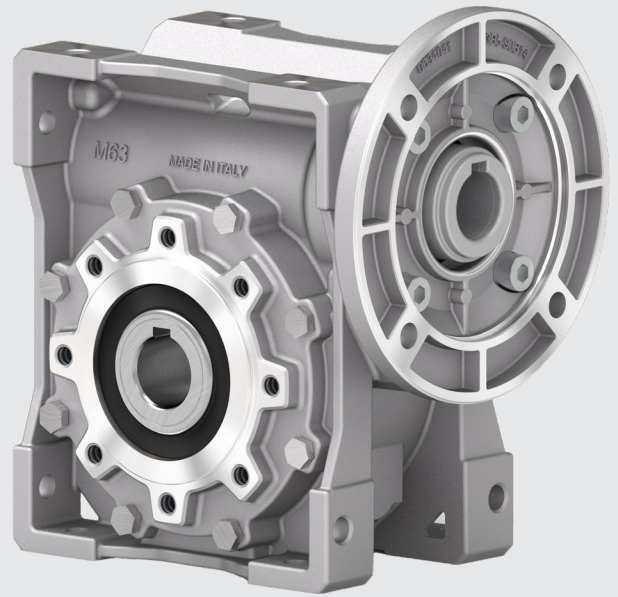


WINSMITH ALUMINUM SQUARE SPEED REDUCER (ALSQ)

Winsmith Aluminum Square Speed Reducers (ALSQ) with their single-piece aluminum housing are dimensionally interchangeable with all global manufacturers of right-angle worm gearboxes. Winsmith stock inventory includes available accessories to allow for precise, quick shipment within 1-3 days from our Asheville, NC gearing facility.

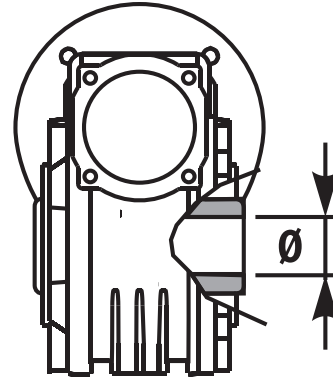
- Modular design allows for precise assembly and quick delivery.
- Dimensionally interchangeable with minimal cost and effort to change from a competitive manufacturer.
- Designed for a wide variety of machine builders who need drives that are optimized with regard to space, noise, torque and weight considerations.
- Efficiency is optimized, reducing energy losses due to the gearing geometry along with precision ground gears and case-hardened worm.
- Single-piece, precision machined housing ensures alignment of gearing and bearings delivering optimal life and performance.
- Robust, compact, lightweight design minimizes space and weight along with increasing life expectancy of supporting elements as compared to cast iron products.
- Wide variety of add on kits to provide many mounting options.
- Aluminum housing provides corrosion resistance and eliminates risk of paint chips breaking off.
- Shipped pre-filled with synthetic oil for universal mounting.
- Standard NEMA and IEC input motor frames.



ALUMINUM SQUARE SPEED REDUCER (ALSQ)	
Sizes	45, 50 and 63
Ratio Range	7:1 to 102:1
Input Power (hp)	¼ to 2
Output Torque (lbf-in)	416 to 1416

MODULAR BASE

SIZE	TORQUE (lbf-in)	Ø BORE SIZE OUTPUT SHAFT (in)
45	416	0.750
50	779	1.000
63	1416	1.125



AVAILABLE ACCESSORIES



OUTPUT FLANGE



SINGLE (SOLID) OUTPUT SHAFT



REACTION ARM



Visit the [product page](#) for more details.